

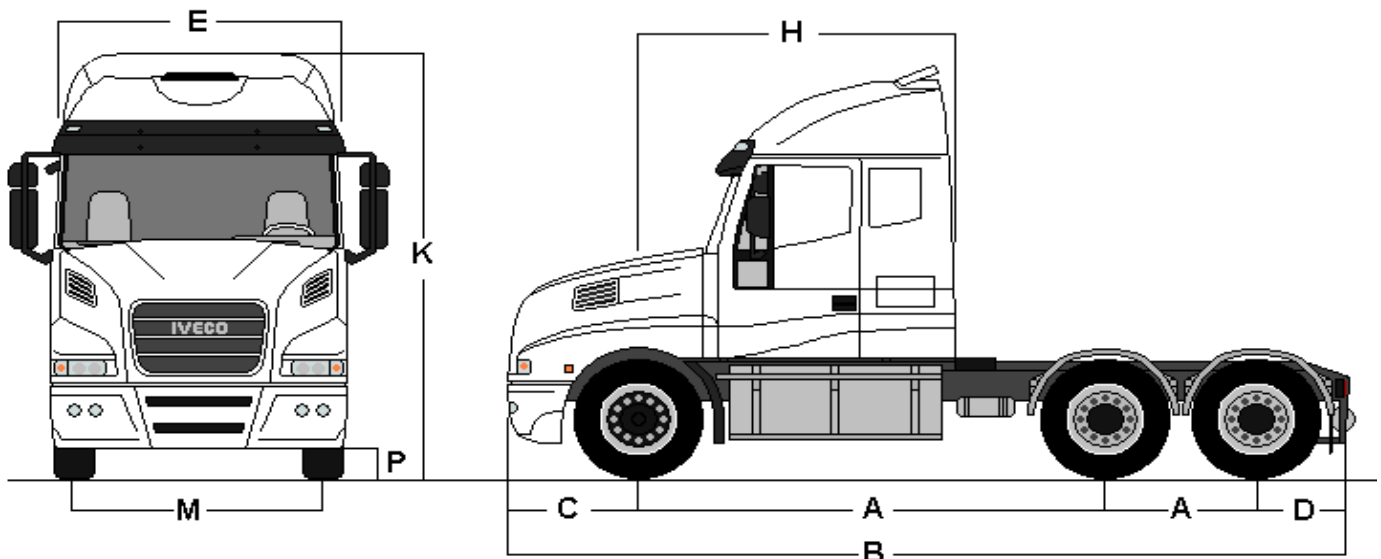
STRATOR

ASN 440S42-45 TX/P

SLEEPER CAB

TRACTOR

6 X 2



GENERAL (in mm)

C Front overhang		1220
D Rear overhang		1048
E Cab width		2550
H Heart front axle - back of cab		2625
L Frame height at rear axle	laden	1005
	unladen	1037
L Frame height at front axle	laden	975
	unladen	1015
K Total height	unladen	3693
M Front track		2049
N Rear track		1818
Frame width at rear axle		770
Wheel bump clearance		200
Width over rear tyres		2500

WEIGHTS (in kg)

Max gross vehicle weight EN	22800
Max plated weight on front axle	7500
Max plated weight on 2e axle	9500
Max plated weight on 3e axle	9500
Max gross combination weight	44000

DIMENSIONS (in mm)

A Wheelbase, axle 1 - axle 2								4100
A Wheelbase, axle 2 - axle 3								1360
B Overall length								7728
Turning circle (outside tyre)								15436
Turning circle (over bumper)								17226

ASN sleeper cab (in kg)

Frame / cab unladen 1)								8050
Unladen at front axle								5100
Unladen at rear axle								2950
Gross carrying weight EN								14750

1) Including full (AdBlue) tank and driver, excl. spare -and fifth wheel
Without driver / AdBlue tank and fuel tank half full: - 226 kg